

P0604A 600 x 400 Plastic Display Pallet

0016

Extremely Durable

- + Reduces damage to your product and packaging

Contamination-free Materials (DIN 10503 and EHEDG)

- + Eliminates splinters and nails
- + No moisture absorption
- + Easy to clean
- + Suitable platform for packed food

Compatibility

- + Easy to handle (4-way entry)

Consistent Specifications

- + Ideal for high speed automated systems
- + Constant weight for handling
- + Compatible with existing materials handling systems

Nestability

- + Up to 50% space is saved in transport and warehousing

Ideal for In-store Display

+ Increases Sales

- increases product visibility
- improves product availability
- does not disrupt the shopping experience
- maximises promotional space

+ Reduces Costs

- quicker promotional preparation
- reduces replenishment cost
- less product damage

+ Improves Brand Awareness

Consistent Availability

- + Ensures no delay in production at times of seasonal or unexpected demand

Environmentally Friendly

- + The CHEP pooling solution eliminates disposable packaging from entering the waste stream

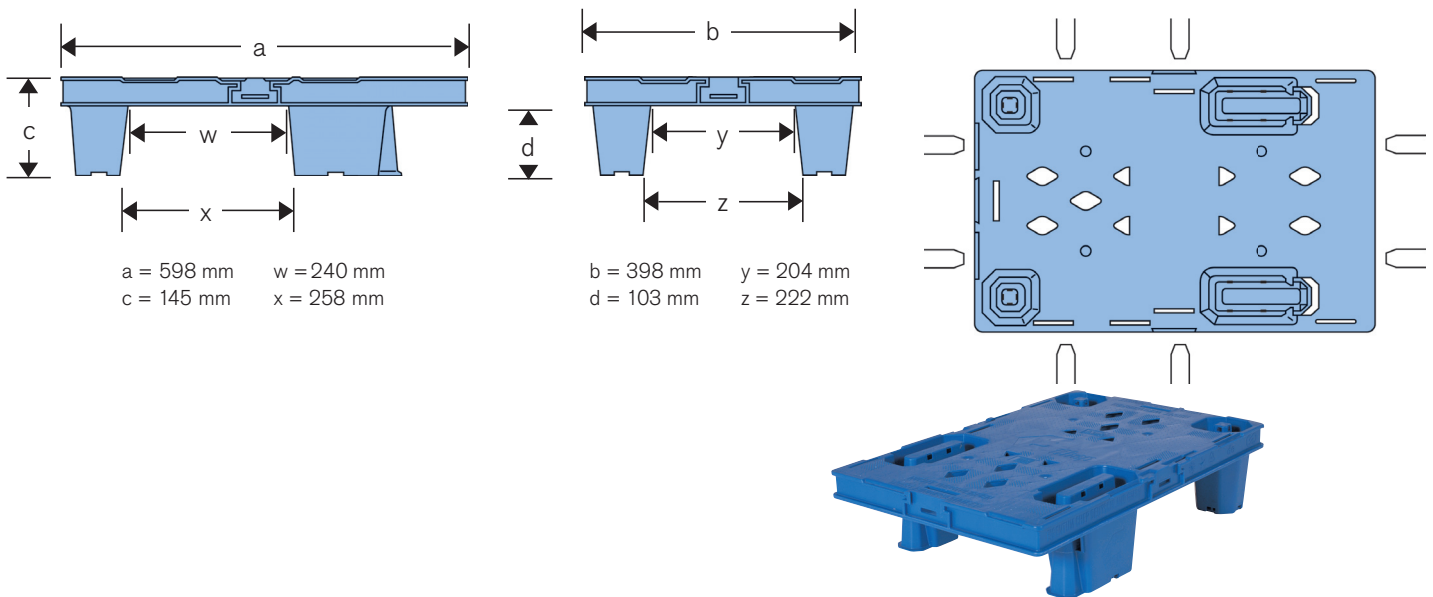


Description	600 x 400 mm Plastic Display Pallet	
Colour	CHEP Blue	
Dimensions	Width	598 mm
	Depth	398 mm
	Height	145 mm
	Side.....	400 mm 600 mm
	Pallet Entry Height	103 mm 103 mm
	Pallet Entry Width	203 mm 240 mm
Material	Polypropylene (PP) The pallet is highly resistant to migration which will minimize any cross contamination with the products being carried	
Nominal Load Capacity	CHEP recommends a maximum rating of 300 kg as a safe working load and not to exceed 800 kg when stacking loaded pallets on a solid, flat surface	
	Empty pallets can be stored 30 high	
Mass	Average 2.2 kg	
Temperature Range	-20° C to +40° C	

Note:
All linear measurements are in millimetres and are approximate.

P0604A 600 x 400 Plastic Display Pallet

0016 - Specifications



Performance

This pallet has been tested based on relevant parts of DIN norms 15141 Part 1 & 2; 16901; 53452-53455 & 26603

Materials Handling Practices

Recommendations:

- Profiles on the edges for easy application of transport packaging such as strapping foil
 - The pallet is nestable which saves up to 50% in transport and warehousing
- Stapling on the pallets is not allowed

Non Approved Substances

The pallet should not come into direct contact with the following substances: Benzene based compounds, Chlorine based compounds, Oleum, Nitric Acid, Bromic Acid, Methyl Bromide. (Please consult CHEP for specific advice)

Washing

Please consult CHEP for specific advice

User's Responsibility

It is the responsibility of all users and hirers to ensure that any other users to whom they pass on the pallet are advised of the contents of this specification sheet

Ownership

CHEP pallets & containers always remain the property of CHEP and can never be legally bought or sold

CHEP reserves the right to change any of the above information without prior notice.